




# TYPHOON

THE ANSWER FOR ANY AIRPORT.



**MAX WORKING HEIGHT**  
52.5 ft (16 m)



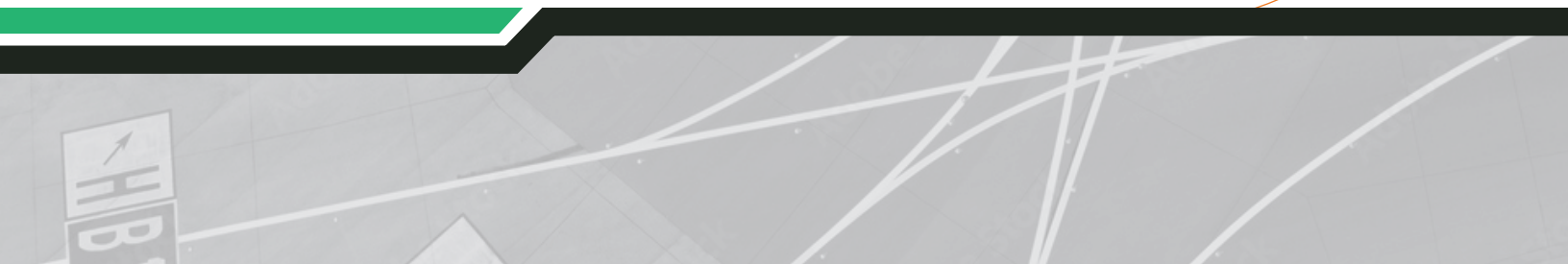
**WIRELESS DATA  
TRANSFER AND  
REMOTE DIAGNOSTICS**



**STATE-OF-THE-ART  
SPRAYING & BLENDING**



**INTUITIVE  
CONTROLS**



# SAFEAERO™ - TYPHOON

Reduce fluid consumption with state-of-the-art spraying and blending featured on the Safeaero™ Typhoon. Compatible for a wide range of options at both small and large airports, the Typhoon has a working height up to 52 ft [16 m], including a 2,000 US gal [7,570 L] tank capacity. Automotive steering with automated functions paired with an integrated wireless data transfer system make the Typhoon a highly preferred asset for operators.

## CHASSIS POWER

### Valvo Six Cylinder 7.7 Litre

EPA Tier / Certification Level	EURO VI
Type	EURO 6 SCR + EGR Diesel engine
Fuel	Diesel [HVO/GTL fuel approved]
Displacement	7.7 L
Peak HP at Governed RPM	250 @ 2200 RPM
Torque	950 Nm @ 1700 RPM

## DIMENSIONS

Length	31.2' [9.5 m]
Width	8.2' [2.50 m]
Height	12.5' [3.8 m]
Boom Rotation	± 135°

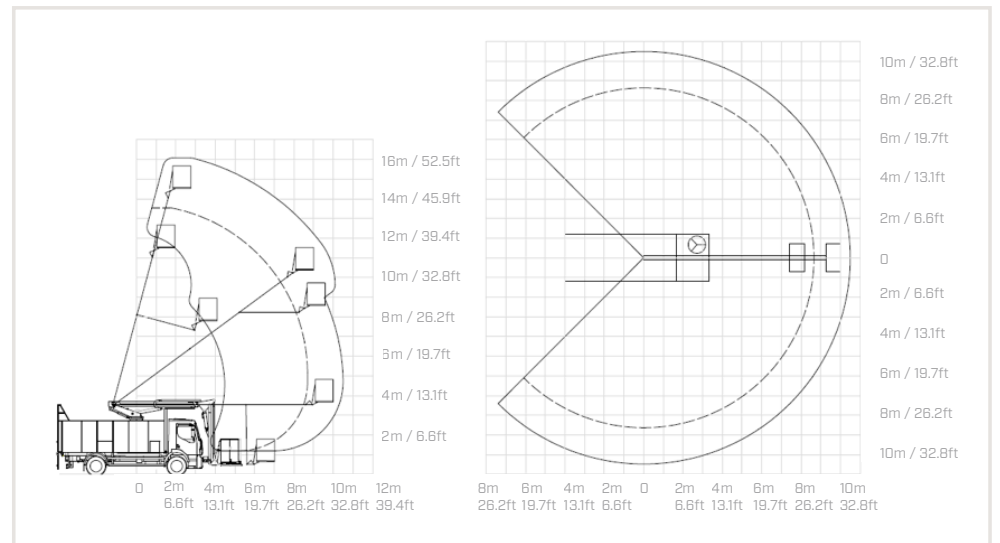
Weight (without Fluid)	27,600 lbs - 34,200 lbs [12,500 kg - 15,500 kg]
Working Height	42.7' - 52.5' [13 m - 16 m]
Wheelbase	13.5' [4.1 m]
Turning Radius - (Measured from Center Tread of Front Wheels)	24.5' [7.5 m]
Ground Clearance	9.6" [250 mm]
Basket Maximum Load Capacity	452 lbs [205 kg]

## PERFORMANCE

Maximum Governed Speed (Boom Raised)	4 mph [6 km/h]
Driving Speed	50 mph [80 km/h]
Maximum Wind Speed Velocity	46 mph [20.6 m/sec]
Tank Capacity up to 1 or 2-Tank Version	950 gal - 2,000 gal [3,600 L to 7,600 L]
CE Certified	Yes



## TYPHOON DIAGRAM



Specifications are subject to change without notice. Models shown may include optional features.  
© 2023 Textron Ground Support Equipment Inc. All rights reserved. 82739-G2 [Rev. 0923]

**TEXTRON** **GSE**

TEXTRONGSE.COM